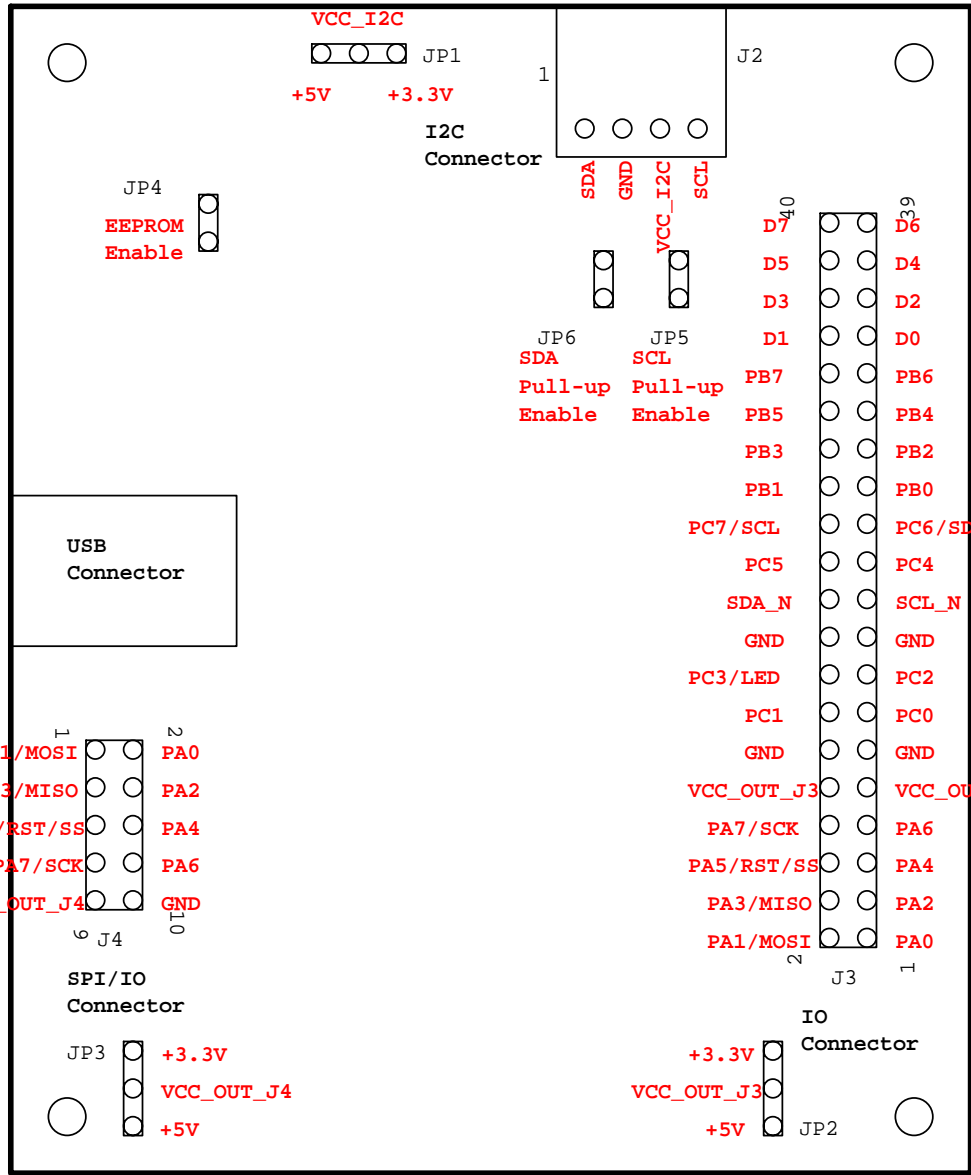


Jumper	Configuration	Voltage
JP1	VCC I2C, J2,4	
	1-2 Regulated	3.3V
	2-3 From USB	5V
JP2	VCC_OUT, J3.9, J3.10	
	1-2 Regulated	3.3V
	2-3 From USB	5V
JP3	VCC_OUT, J4,9	
	1-2 Regulated	3.3V
	2-3 From USB	5V

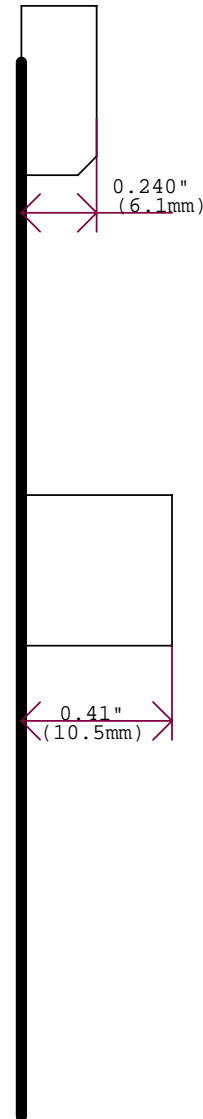
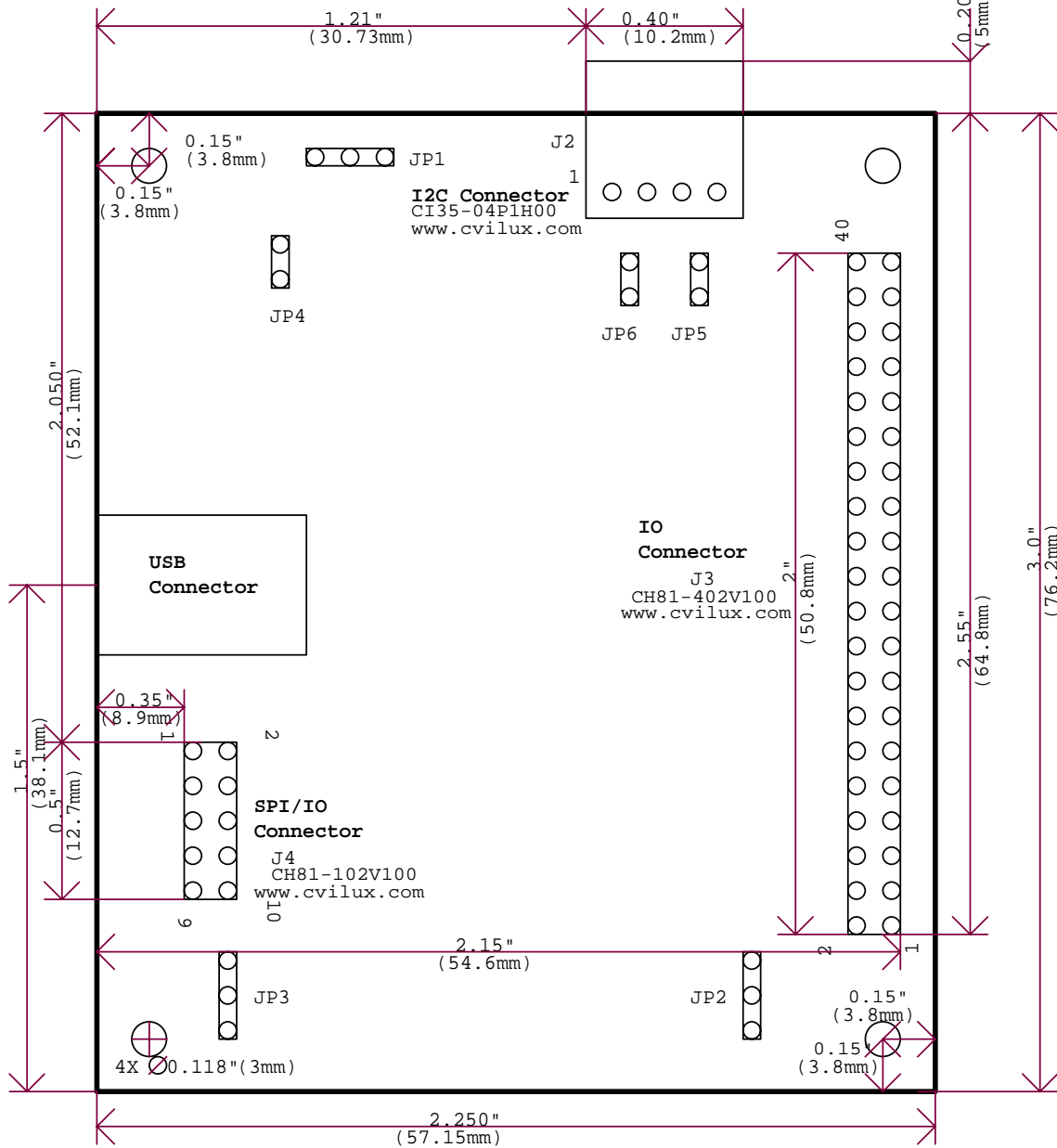
www.xdimax.com

U2C-12

Title		Rev 0	
Size A4	Document Number	0.0.4	
Date:	Wednesday, December 14, 2005	Sheet	1 of 3



www.xdimax.com		
U2C-12 Connectors		
Size A4	Document Number 0.0.4	Rev 0
Date: Wednesday, December 14, 2005 Sheet 2 of 3		



www.xdimax.com		
U2C-12 Mechanical Drawing		
Size	Document Number	Rev
	0.04	0
Date:	Wednesday, December 14, 2005	Sheet 3 of 3